

Series 403 2" x 4 1/2" Thermal Storefront Framing



CONFIGURATIONS

Shear Block • Screw Spline

This economical flush glaze system is available in both shear block and screw spline fabrication methods. Series 403 Storefront can accommodate all standard 1 3/4" Entrances as well as WV410 vents. This series is thermally broken, enhancing energy savings potential. Vertical mullions will accept steel reinforcement to enhance structural performance.

Features

Thermally broken frames

Screw spline construction

Shear block construction

The optional Roto-Vent™ ventilator

2-way corner mullions (90° & 135°)

3-way corner mullions (T-mullions)

0°-15° and 15°-30° variable mullions

Accommodates up to 1 1/16" glazing

Uniform glazing gasket is used for exterior and interior

Various height intermediate horizontals and sills

Accessory line of perimeter anchors, pocket fillers, door adaptors, etc.

Anodized or painted finishes available

Benefits

Enhanced thermal performance

Allows assembly of sections prior to installation

Decreases installation time

Ability to erect on the job site

Allows fresh air into the room, yet maintains security

Design flexibility

Multifaceted elevations

Custom applications

Expands design and energy savings options

Allows optimized use of gasket

Simplifies ordering and installation

Ability to maintain desired sight line

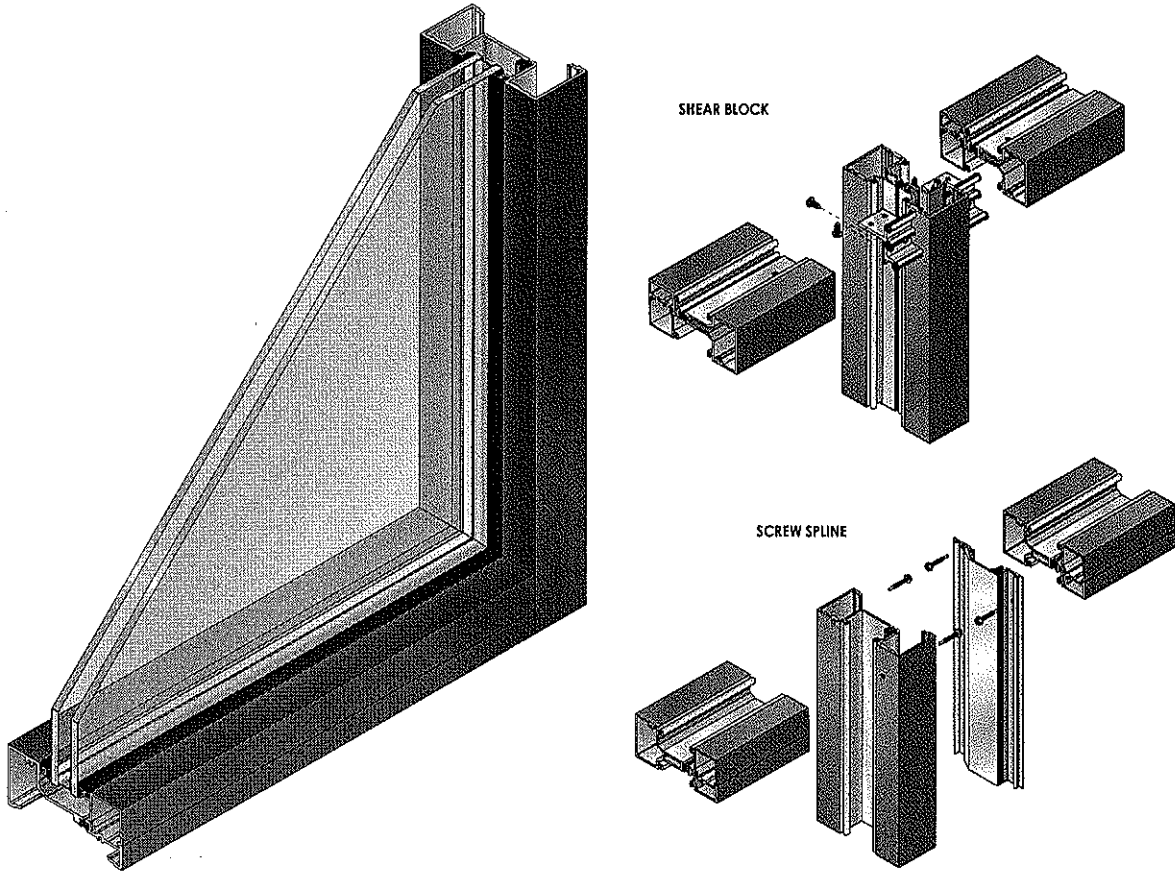
Increased product versatility

Multiple options to answer economic and aesthetic concerns



Series 403

2" x 4 1/2" Thermal Storefront Framing



PERFORMANCE DATA

SYSTEM 403 STOREFRONT SCREW SPLINE FRAMING

AIR INFILTRATION	<.06 CFM/SF @ 6.24 PSF
WATER	NO LEAKAGE @ 12.0 PSF
STRUCTURAL	visit MyEFCO at www.efcocorp.com
CRF-FRAME (1503-98)	57 ^A
CRF-GLASS (1503-98)	70 ^F

SYSTEM 403 STOREFRONT SHEAR BLOCK FRAMING

AIR INFILTRATION	<.06 CFM/SF @ 6.24 PSF
WATER	NO LEAKAGE @ 12.0 PSF
STRUCTURAL	visit MyEFCO at www.efcocorp.com
CRF-FRAME (1503-98)	57 ^A
CRF-GLASS (1503-98)	70 ^F

- A = Estimated values and/or designations
- B = Non-standard size or configuration
- C = Dual glazed
- D = 1" Insulated - 1/4" clear, 1/2" air, 1/4" clear
- E = 1" Insulated - 1/4" clear (Low Emissivity), 1/2" air, 1/4" clear
- F = 1" Insulated - 1/4" clear (Low Emissivity), 1/2" argon, 1/4" clear
- G = 1" Insulated - 1/4" clear, 1/2" air, 1/4" clear (Low Emissivity)

403 THERMAL U-FACTORS*		
CENTER OF GLASS U-FACTOR	CONFIGURATION AND SIZE	
	FIXED** 78 3/4" X 78 3/4"	FIXED 120" X 120"
0.46	0.55	0.52
0.34	0.46	0.41
0.30	0.42	0.38
0.24	0.38	0.33
0.20	0.34	0.29

* Based on NFRC 100
**NFRC Gateway size

GLAZING

SYSTEM 403 CAN BE INSIDE OR OUTSIDE GLAZED WITH EXTRUDED ALUMINUM, SNAP-IN GLAZING BEAD. GLASS IS "DRY GLAZED" WITH TOP LOAD GASKET. GLAZINGS OF 3/16" TO 1-1/16" INFR PANELS ARE ACCOMMODATED. SEE GLAZING CHART BELOW FOR EXACT SIZE.

SYSTEM 403 GLAZING CHART	POLYCARBONATE			GLASS OR PANEL												
	3/16"	1/4"	5/16"	3/16"	1/4"	1/4"	5/16"	7/16"	1/2"	9/16"	5/8"	3/4"	7/8"	15/16"	1"	1-1/16"
MONOLITHIC GLASS	C	C	C	C	C	C	C									
INSULATED GLASS												C		C	A	C

*Obscure glass thickness
**Laminated glass thickness
A-Available glazing option
C-Adaptor and/or gasket required
Blank - N/A



Series 403 2" x 4 1/2" Thermal Storefront Framing

Frame Construction

The frames have a depth of 4 1/2", and the nominal material wall thickness is .080". Members are extruded 6063-T6 aluminum alloy. Corner construction employs screw spline or shear block method. See Illustration 1 & 2.

Door Frames

System 403 offers integral System 402 entrance frames as a part of the entrance framing system. Members are nominally .080" in thickness.

Weather Stripping

All entrance frames are weather-stripped with bulb gasket.

Thermal Barrier

All frames and vents are thermally broken using the latest technology in two part, high density polyurethane.

Glazing

Series 403 can be inside or outside glazed with extruded aluminum, snap-in glazing bead. Glass is "dry glazed" with top load gasket. Glazings of 3/16" to 1 1/16" infill panels are accommodated. See Glazing Chart for exact size.

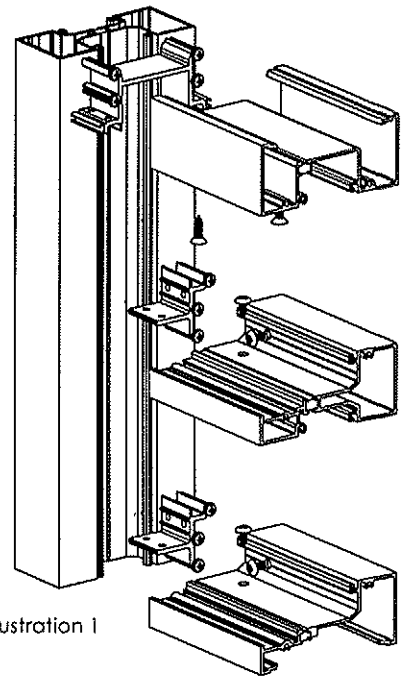


Illustration 1

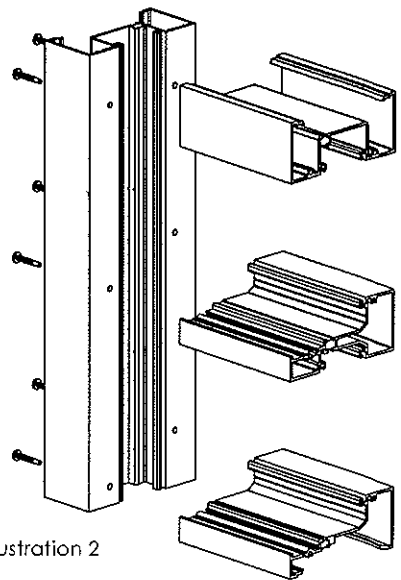
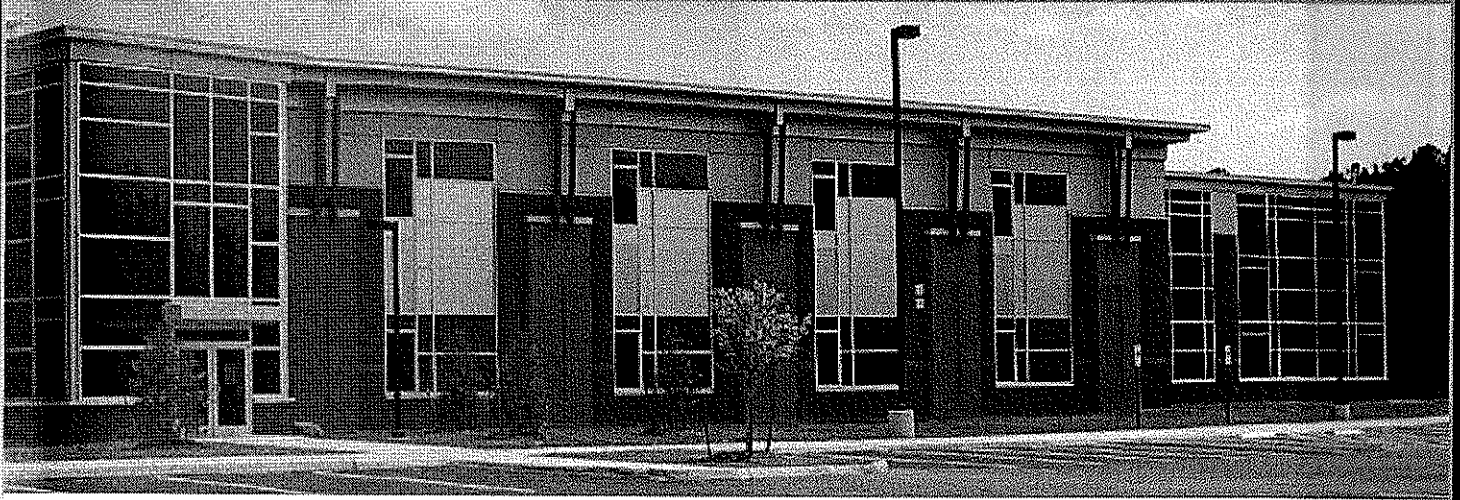


Illustration 2



System WV410 Storefront Window System



CONFIGURATIONS

Project-out • Casement-out

The WV410 storefront vent system is designed to be field glazed and installed with a minimal amount of labor. These vents are offered in two configurations: out-swing casements and project-out vents. Although the WV410 vent is designed to complement the flush glazed storefront, it may be glazed into any framing system with a flush surface opening and minimum frame depth of 3 7/16".

Features

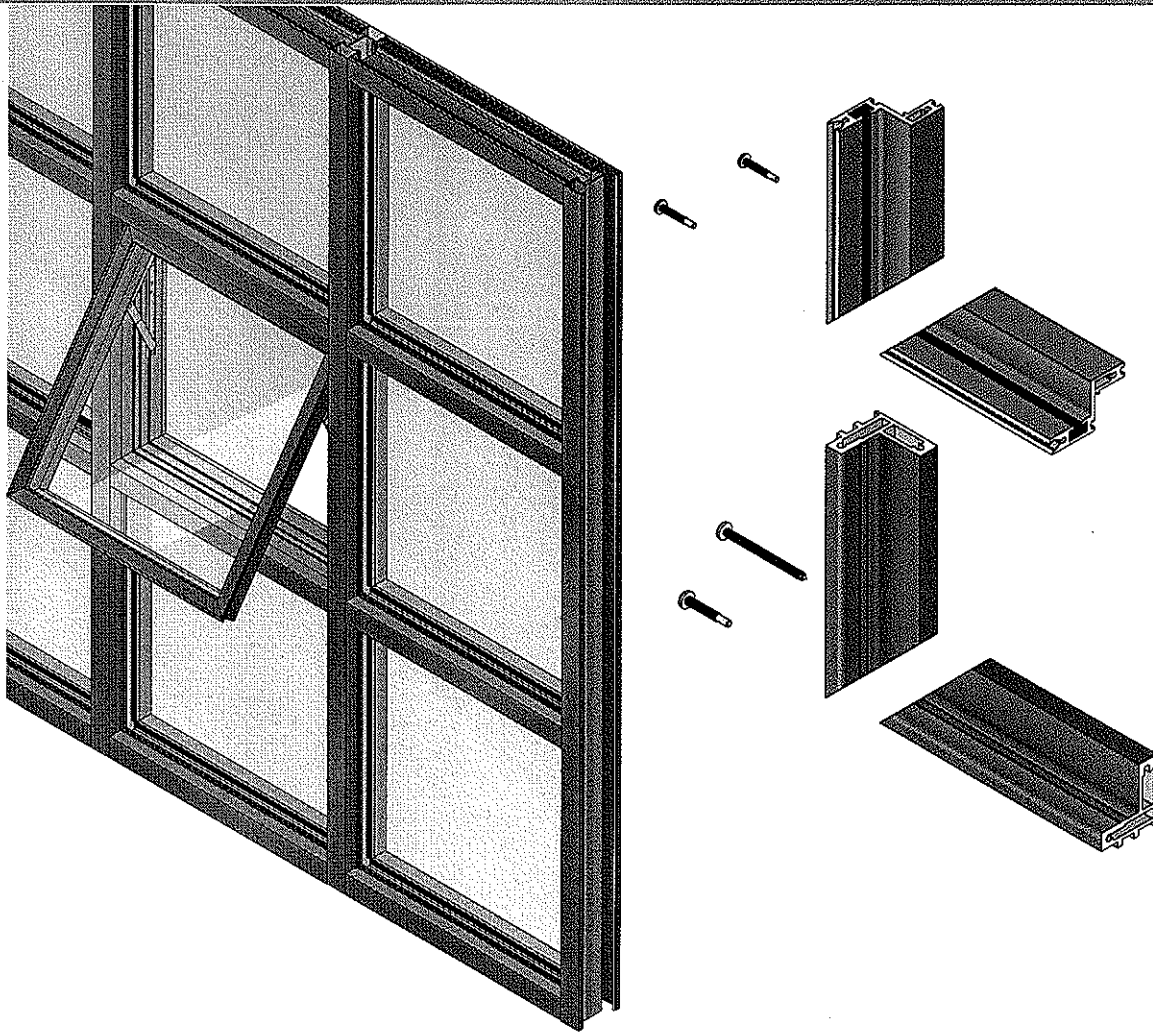
- Thermally improved frames
- Designed to use with storefront systems
- Spans up to 1 1/8" wide glazing pocket
- Interior face of the intermediate mullion aligns flush with storefront horizontal
- Accommodates 1/4" & 1" glazing
- Removable glass stop combination glazing leg
- Minimal sightline meeting rail available
- Screens available
- Screen frames are extruded aluminum alloy
- Anodized and painted finishes available

Benefits

- Enhanced thermal performance
- Allows operable vent in fixed frames
- Minimal additional metal sightline
- Can be used in retrofit applications
- The plane of the metal does not appear offset
- Energy savings options
- Seals the perimeter glass face
- Maintain the appearance of ribbon applications
- Ventilation
- Stronger more durable screens
- Multiple options to answer economic and aesthetic concerns



System WV410 Storefront Window System



PERFORMANCE DATA

WV410 PROJECTED

AIR INFILTRATION..... < .10 CFM/FT @ 6.24 PSF
 WATER..... NO LEAKAGE @ 15.0 PSF
 STRUCTURAL..... visit MyEFCO at www.efcocorp.com
 CRF-FRAME (1503.1)..... 59D
 CRF-GLASS (1503.1)..... 56D

WV410 CASEMENT

AIR INFILTRATION..... < .10 CFM/FT @ 6.24 PSF
 WATER..... NO LEAKAGE @ 12.0 PSF
 STRUCTURAL..... visit MyEFCO at www.efcocorp.com
 CRF-FRAME (1503.1)..... 59D
 CRF-GLASS (1503.1)..... 56D

A = Estimated values and/or designations
 B = Non-standard size or configuration
 C = Dual glazed
 D = 1" Insulated - 1/4" clear, 1/2" air, 1/4" clear
 E = 1" Insulated - 1/4" clear (Low Emissivity), 1/2" air, 1/4" clear
 F = 1" Insulated - 1/4" clear (Low Emissivity), 1/2" argon, 1/4" clear
 G = 1" Insulated - 1/4" clear, 1/2" air, 1/4" clear (Low Emissivity)

WV410 THERMAL U-FACTORS*		
CENTER OF GLASS U-FACTOR	CONFIGURATION AND SIZE	
	PO**	PO
0.48	59" X 24"	60" X 36"
0.34	0.54	0.52
0.28	0.43	0.40
0.24	0.38	0.35
0.20	0.35	0.32
	0.31	0.28

* Based on NFRC 100
 **NFRC Gateway size

SYSTEM WV410 STOREFRONT VENT	POLYCARBONATE		GLASS OR PANEL													
	3/16"	1/4"	5/16"	3/16"	1/4"	1/4"***	5/16"	7/16"	1/2"	9/16"	5/8"	3/4"	7/8"	15/16"	1"	1-1/16"
MONOLITHIC GLASS		O			O											
INSULATED GLASS															S	

*-Obscure glass thickness
 **-Laminated glass thickness

O -Optional
 S -Standard
 Blank - N/A



System WV410 Storefront Window System

Application

The WV-410 can only be used in a flush metal opening that is square to within 1/8" for proper sealing.

Maximum Size: 36" x 60" casement

Maximum Size: 60" x 36" project out

Minimum Size: 12" x 12" project out

Minimum Size: 12" x 12" casement

Minimum Size: 20" x 20" casement with 90 deg. vent opening

Main Frame Construction

Miter cut .080" nominal wall thickness extruded aluminum angle of 6063-T5 or T6 alloy and temper contains integral dual screw bosses. Corners are bed in silicone sealant and assembled using screw spline construction. See Illustration 1.

Vent Frame Construction

Miter cut .125" nominal wall thickness extruded aluminum angle of 6063-T5 or T6 alloy and temper contains integral dual screw bosses and gasket dart race. Corners are bed in silicone sealant and assembled using screw spline construction. See Illustration 2.

Hardware

Standard 4 bar hinge operation is utilized with cam handles applied to vent and surface-applied cam strikes on main frame located as required structurally.

Special Feature

Window can be used in retrofit applications, bridging up to 1 1/8" wide glazing pockets.

Glazing

The main frame is wet sealed to the surrounding opening on the interior side. The 1" glazing is structurally siliconed to the vent framing at the number four surface with the vent sealed to the main frame with a 1/8" bulb perimeter gasket. At the exterior, a removable glass stop combination glazing leg seals the perimeter glass face.

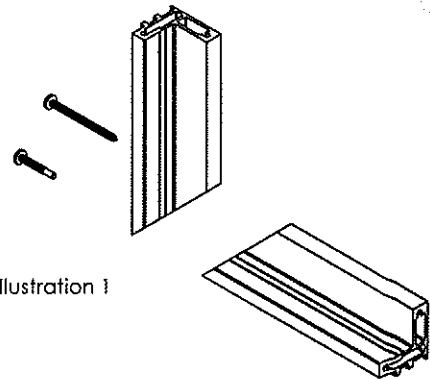


Illustration 1

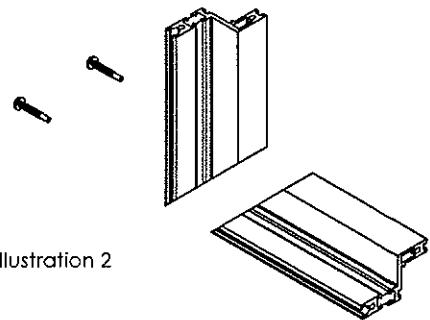


Illustration 2





Search

Order Forms

Sales Rep Locator

You are here: [Home](#) > [Products](#) > [FRP Doors](#) > [SL-20 Sandstone-textured](#) > [Exclusive Design](#)

[Products](#) • [Applications](#) • [Specs](#) • [Tech Data](#) • [Sales Info](#) • [Training](#) • [Green](#) • [News](#) • [Gallery](#) • [Site Map](#)

[Home](#) | [About Us](#) | [Employment](#) | [Contact Us](#)

In this section
PRODUCTS

Doors

- Monumental
- Aluminum Flush
- FRP Flush
 - Pebblegrain
 - Sandstone-textured
 - Fire-Rated
- AMP Flush
 - Colonial & Wood Grain
 - Fire-Rated
- Colors

Hardware & Lites

Framing & Panels

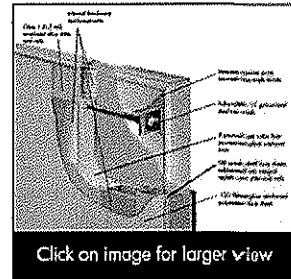
Better Materials and Design Makes for Better Doors

Related Items

Our SL-20 Sandstone-textured FRP Flush Doors employ the same product design as our SL-17 Pebblegrain FRP Flush Doors with the exception of the face sheet.

Features and Benefits

- FRP face sheets are .120" (3mm) thick for impact strength.
- Stiles and rails are manufactured from extruded 6063-T6 aluminum alloy, sized and configured for maximum strength without unnecessary, non-functional bulk.
- Stiles and rails are joined with mitered corners and angle blocks secured by 3/8" (9.5mm) diameter full-width galvanized steel tie rods.
- Face sheets are secured on all four sides by full-length integral reglets on the edges of the stiles and rails, to eliminate troublesome screw-applied capping.
- Poured-in-place urethane core with a minimum five pounds per cubic foot density ensures impact resistance, flexural strength, and thermal insulation. In addition, it won't absorb or be damaged by water.
- Class A painted face sheets are available.



Additional Sandstone-textured FRP Flush Door Information

Custom Options

Color Selections

[Give us your feedback](#)

Copyright © 2010 Special-Lite, Inc. | Special-Lite® is a registered trademark of Special-Lite, Inc. | [Privacy Policy](#)